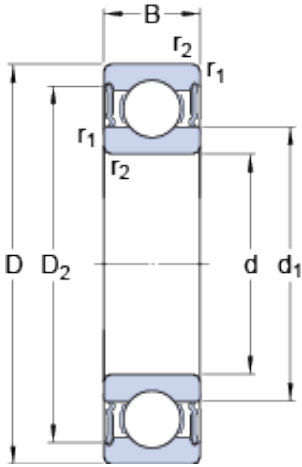




Bearing Argentina, S.A.



45 mm x 58 mm x 7 mm Radial Spherical Plain Bearings GE30XS/K 30mm*50mm*27mm

Bearing No. 61809-2RS1

61809-2RS1 Bearing 2D drawings and 3D CAD models

Size	58x45x7 mm
Bore Diameter	58 mm
Outer Diameter	45 mm
Width	7 mm
d	45 mm
D	58 mm
B	7 mm
d ₁	49.1 mm
D ₂	55.4 mm
r _{1,2} - min.	0.3 mm
d _a - min.	47 mm
d _a - max.	49 mm
D _a - max.	56 mm
r _a - max.	0.3 mm
Basic dynamic load rating - C	6.6 kN
Basic static load rating - C ₀	6.1 kN
Fatigue load limit - P _u	0.26 kN
Limiting speed	6700 r/min
Calculation factor - k _r	0.015
Calculation factor - f ₀	17
Category	Single Row Ball Bearings
Inventory	0.0
Manufacturer Name	SKF
Minimum Buy Quantity	N/A



Bearing Argentina, S.A.

Weight / Kilogram	0.045
Product Group	B00308
Enclosure	2 Seals
Precision Class	ABEC 1 ISO P0
Maximum Capacity / Filling Slot	No
Rolling Element	Ball Bearing
Snap Ring	No
Internal Special Features	No
Cage Material	Steel
Enclosure Type	Contact Seal
Internal Clearance	C0-Medium
Inch - Metric	Metric
Long Description	45MM Bore; 58MM Outside Diameter; 7MM Outer Race Diameter; 2 Seals; Ball Bearing; ABEC 1 ISO P0; No Filling Slot; No Snap Ring; No Internal Special Features
Category	Single Row Ball Bearing
UNSPSC	31171504
Harmonized Tariff Code	8482.10.50.68
Noun	Bearing
Keyword String	Ball
Manufacturer URL	http://www.skf.com
Manufacturer Item Number	61809-2RS1
Weight / LBS	0.1
Outer Race Width	0.276 Inch 7 Millimeter
Outside Diameter	2.283 Inch 58 Millimeter
Bore	1.772 Inch 45 Millimeter
bore diameter:	45 mm
static load capacity:	6.1 kN
outside diameter:	58 mm



Bearing Argentina, S.A.

precision rating:	Not Rated
overall width:	7 mm
finish/coating:	Uncoated
bore type:	Round
cage material:	Steel
closure type:	Double Sealed
outer ring width:	7 mm
row type & fill slot:	Single Row Non-Fill Slot
fillet radius:	0.3 mm
internal clearance:	C0
maximum rpm:	6700 RPM
operating temperature range:	-40 to +210 ° F
series:	61
dynamic load capacity:	6.63 kN
d_1	48.2 mm
D_2	55.4 mm
$r_{1,2}$ min.	0.3 mm
d_a min.	47 mm
d_a max.	49 mm
D_a max.	56 mm
r_a max.	0.3 mm
Basic dynamic load rating C	6.63 kN
Basic static load rating C_0	6.1 kN
Fatigue load limit P_u	0.26 kN
Calculation factor k_r	0.015
Calculation factor f_0	17
Mass bearing	0.04 kg